

PRODUCT INFORMATION PACKET

Model No: 080T17V5329
Catalog No: R723
1/2, 1800, TENV, 80, 3/60/208-230/460
Washdown Duty



Regal and Marathon are trademarks of Regal Beloit Corporation or one of its affiliated companies.
©2018 Regal Beloit Corporation, All Rights Reserved. MC017097E



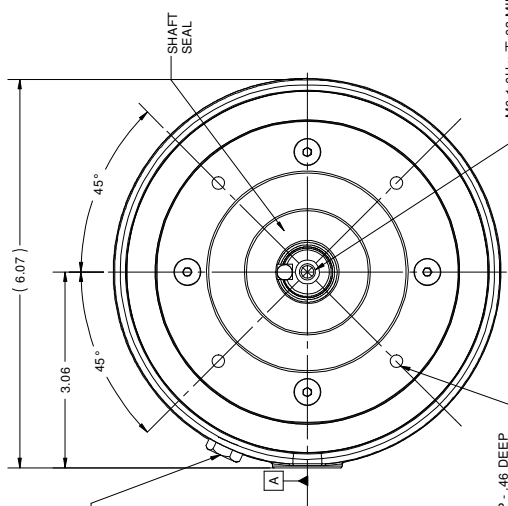
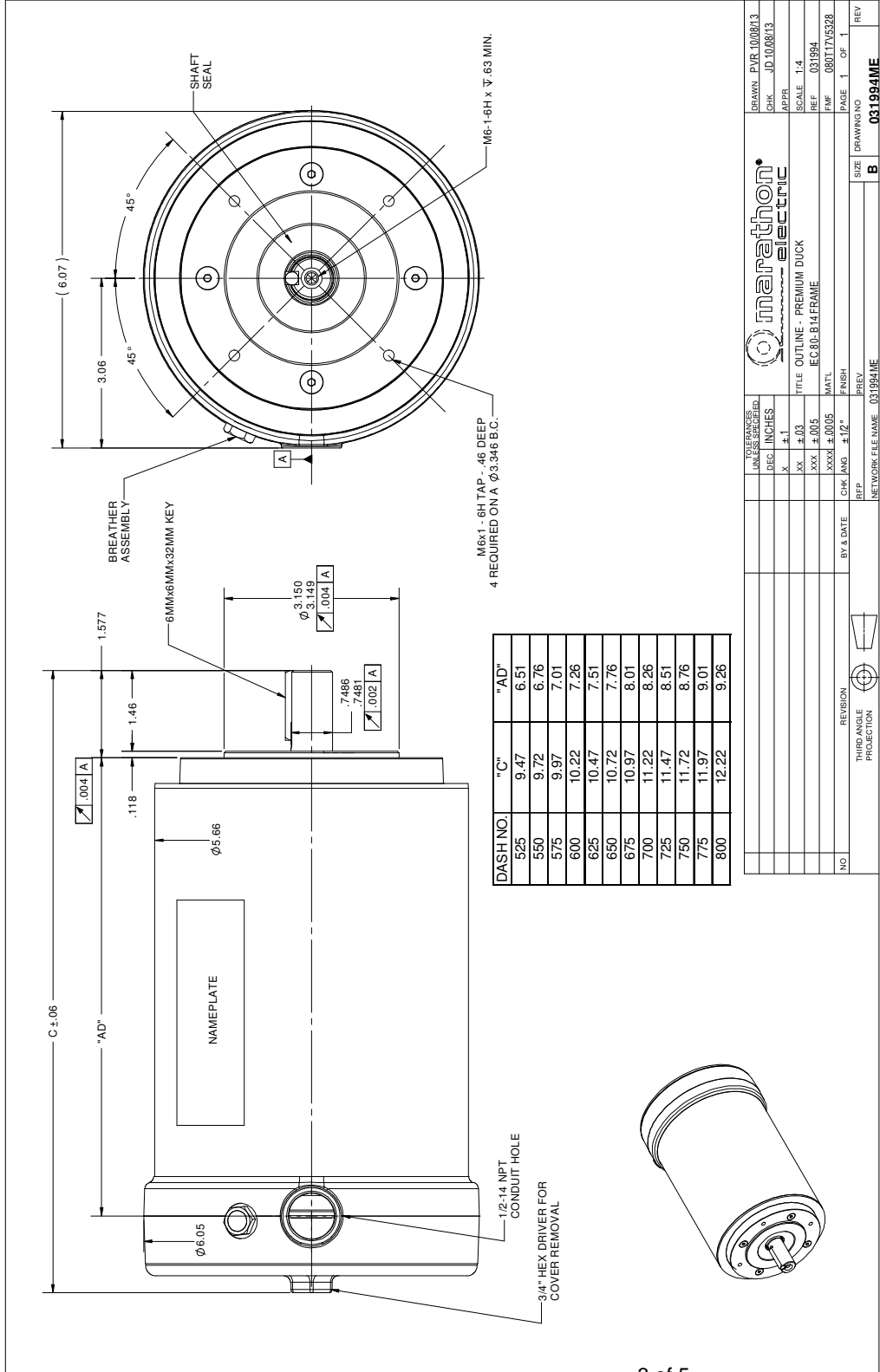
Nameplate Specifications

Output HP	0.50 Hp	Output KW	0.37 kW
Frequency	60 Hz	Voltage	208-230/460 V
Current	1.9-1.8/0.90 A	Speed	1725 rpm
Service Factor	1.15	Phase	3
Efficiency	76 %	Duty	Continuous
Insulation Class	F	Design Code	B
KVA Code	K	Frame	80
Enclosure	Totally Enclosed Non Ventilated	Overload Protector	No
Ambient Temperature	40 °C	Drive End Bearing Size	6204
Opp Drive End Bearing Size	6204	UL	Recognized
CSA	Y	CE	Y
IP Code	56		

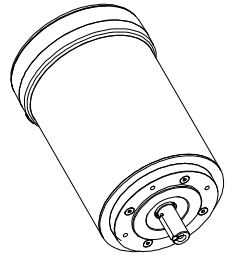
Technical Specifications

Electrical Type	Squirrel Cage Induction Run	Starting Method	Across The Line
Poles	4	Rotation	Reversible
Mounting	Round	Motor Orientation	Horizontal
Drive End Bearing	Ball	Opp Drive End Bearing	Ball
Frame Material	Stainless Steel	Shaft Type	IEC
Overall Length	11.47 in	Shaft Diameter	0.750 in
Shaft Extension	1.57 in	Assembly/Box Mounting	F1 Only
Outline Drawing	031994ME-725	Connection Diagram	005010.01ME

This is an uncontrolled document once printed or downloaded and is subject to change without notice. Date Created: 06/29/2018



DASH NO.	"C"	"AD"
525	9.47	6.51
550	9.72	6.76
575	9.97	7.01
600	10.22	7.26
625	10.47	7.51
650	10.72	7.76
675	10.97	8.01
700	11.22	8.26
725	11.47	8.51
750	11.72	8.76
775	11.97	9.01
800	12.22	9.26



TOLERANCES UNLESS SPECIFIED		DRAWN: PVR 10/08/13	
X	±.1	CHK	JD 10/08/13
XX	±.03	APPR	
XXX	±.005	SCALE	1:4
XXXX	±.0005	REF	031994
NO		FINISH	080177/5328
REP.	CHK LANG ±12°	BY & DATE	PAGE 1 OF 1
REV		PREV	DRAWING NO
		NETWORK FILE NAME: 031994ME	SIZE: B
			REV: 031994ME



TITLE: OUTLINE - PREMIUM DUCK
EC-80L-B14 FRAME

VIEW FROM OUTSIDE OF MOTOR AT SWITCH END.



VOLTAGE	L1	L2	L3	JOIN & INSULATE
HIGH	T1	T2	T3	(T4,T7) (T5,T8) (T6,T9)
LOW	T1,T7	T2,T8	T3,T9	T4,T5,T6

		TOLERANCES UNLESS SPECIFIED		MARATHON ELECTRIC		DRAWN RDW 04/12/02	
		DEC.	INCHES			CHK	
		.X	±.1			APPD	
		.XX	±.01	TITLE		SCALE 1=1	
		.XXX	±.005	EXTERNAL WIRING DIAGRAM 3 PHASE W/O PROTECTOR		REF FIG.2-51	
		.XXXX	±.0005	MAT'L.		FMF	
				DECAL - 004014		PREV	
NO.	REVISION	BY & DATE	CHK	ANG	±1/2'	FINISH	
			RFP	04/12/02		CAD FILE	00501001ME
			DIST			SIZE	A
						DRAWING NO.	005010-01ME
						REV.	

THIS DRAWING IN DESIGN AND DETAIL IS OUR PROPERTY AND MUST NOT BE USED EXCEPT IN CONNECTION WITH OUR WORK ALL RIGHTS OF DESIGN AND INVENTION ARE RESERVED THIS IS AN ELECTRONICALLY GENERATED DOCUMENT - DO NOT SCALE THIS PRINT

